

Indoor Panel Antenna (ANT-PN07)

Panel Antenna is an antenna type that radiates in only a specific direction. Its uses wave guide technology to focus ingoing and outgoing radio signals into a focused, effective signal by concentrating their energy.

A panel antenna is similar to a sector antenna, which is a directional antenna used in telecommunications for cell phone connectivity and wireless Internet.

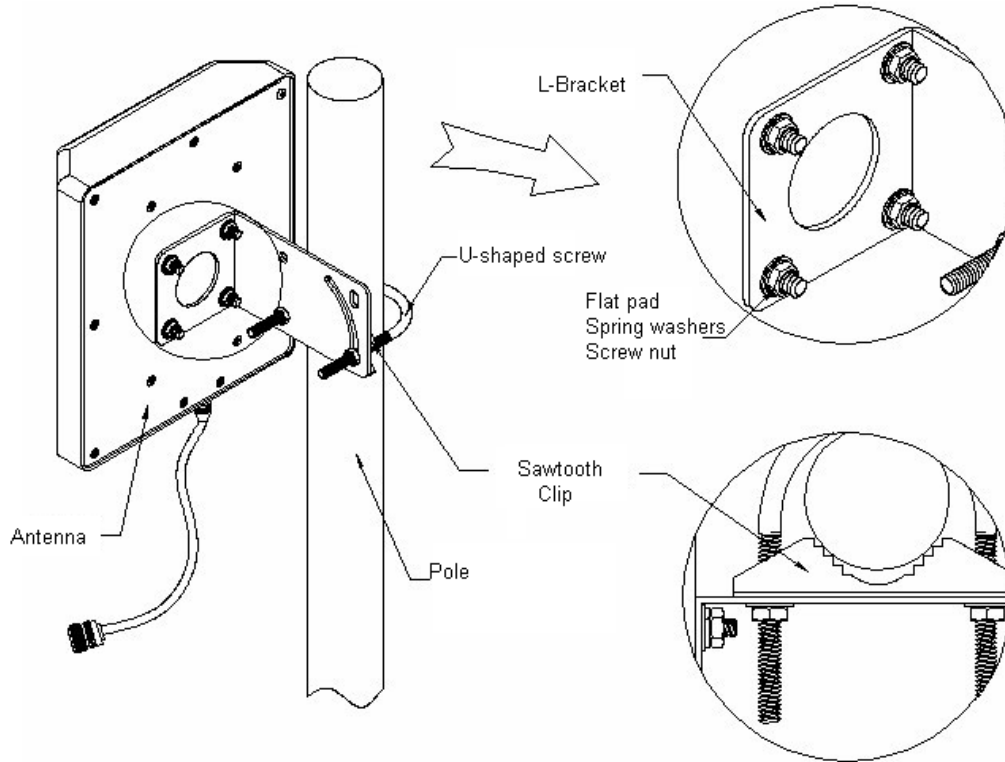
It also is called "patch antennas."



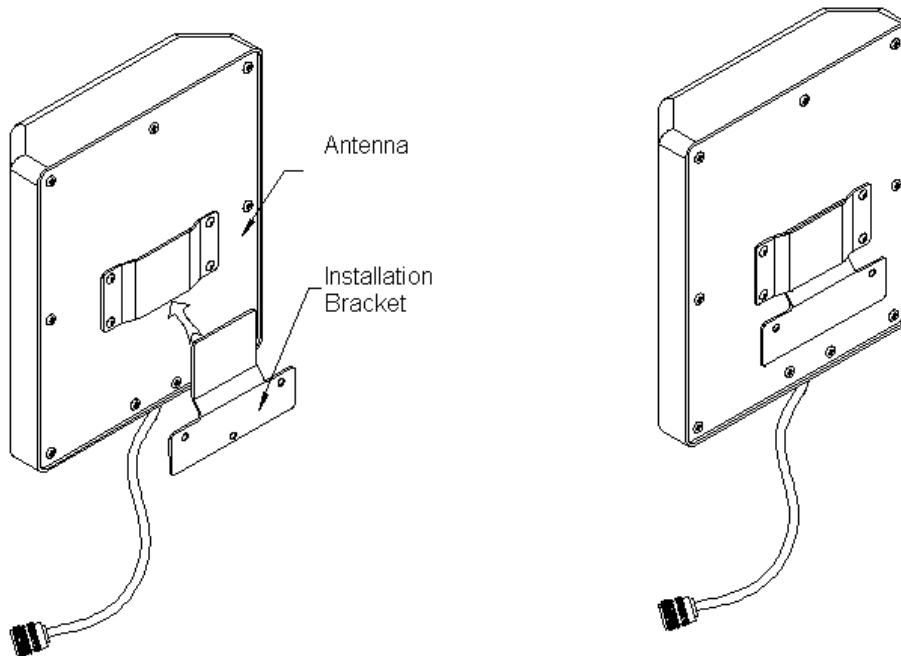
Technical Specification

Frequency	806~960MHz	1710~2500MHz
Gain	6dB	8dB
Half Beam-width	H:90°/V: 65°	H:75°/V: 60°
Polarization	Vertical	
Impedance	50 ohms	
VSWR	≤1.4	
Maximum Input Power	50Watts	
Connector Type	N-Female	
Connector Position	Bottom	
Radome Color	White	
Pigtail Cable Type	RG58, plenum rated	
Pigtail Cable Length	250 mm	
Weight	0.4kg	
Dimension	210mmx 180mmx 40mm	
Temperature Range	-55~70°C	
Humidity,%	95%	
Mounting	Wall mounted	
Grounding	DC grounded	

Installation



Pole mounted



Wall mounted